

INSTALLATION INSTRUCTIONS

for Troldekt® Elements 1200 × 2400 mm
mounted on C60 profiles

These instructions apply to the installation of Troldekt® Elements floating acoustic clouds 1200 × 2400 mm on C60 profiles.

INSPECTION UPON RECEIPT

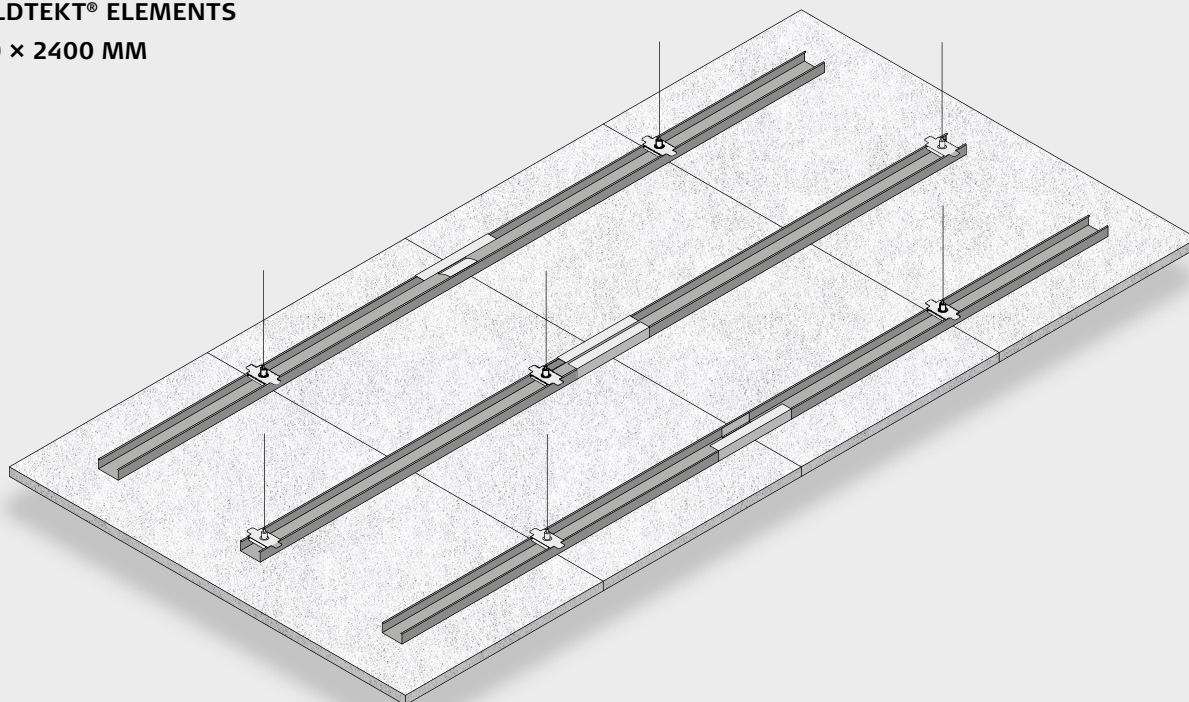
On receipt, check that the components included (see overview at the top of page 2) are undamaged.

In the event of visible faults or defects, please make a complaint immediately, as we cannot accept complaints regarding visible faults or defects after installation of Elements floating acoustic clouds.

Please also read the instructions for storage and acclimatisation, as well as maintenance and care of Troldekt acoustic panels. These can be downloaded from www.troldekt.com.

ATTENTION! Use work gloves during installation of rails and fittings as the edges can be sharp.

TROLDTEKT® ELEMENTS 1200 × 2400 MM

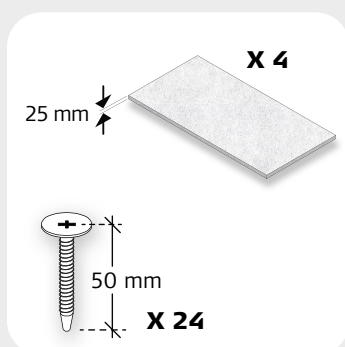


CONSUMPTION

For a Troldekt® Elements floating acoustic cloud 1200 × 2400 mm, you need:

4 x Troldekt® panels
(25 × 600 × 1200 mm)
Edge K0, K5, V-Line 1way and V-Line 2way
Max. weight 12 kg

**24 Troldekt®
structure screws for steel**
(4.2 × 50 mm, Ø13)



COMPONENTS, SUSPENSION

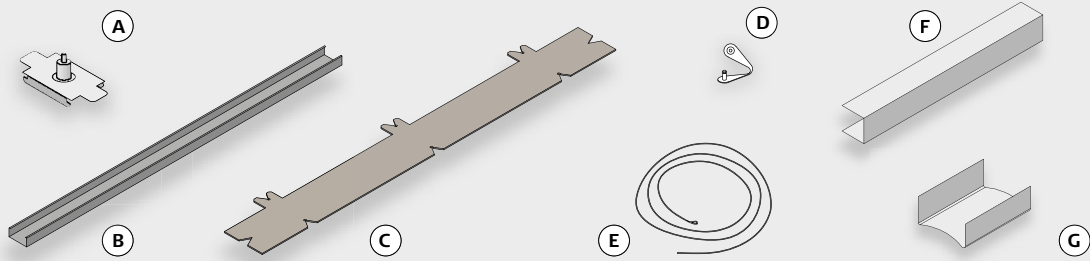


Figure	A	B	C	D	E	F	G
Description of item	Wire rope suspension	C60 rails	Templates	Connecting clips	Steel wire rope	U profiles	C connector
Length (mm/in)	-	1070	1200	-	1500	220	80
Consumption per Elements floating acoustic cloud (1200 × 2400 mm)	7 units	6 units	2 units	2 units	7 units	4 units	2 units

USING THE SCREW TEMPLATE

1: Place the Troldtekt® panel with the visible side facing upwards. Then place the two included templates so that they are flush with the longitudinal edges of the Troldtekt® panels (Fig. 1).

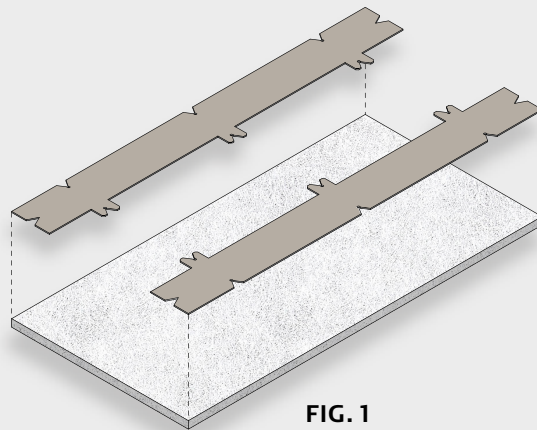
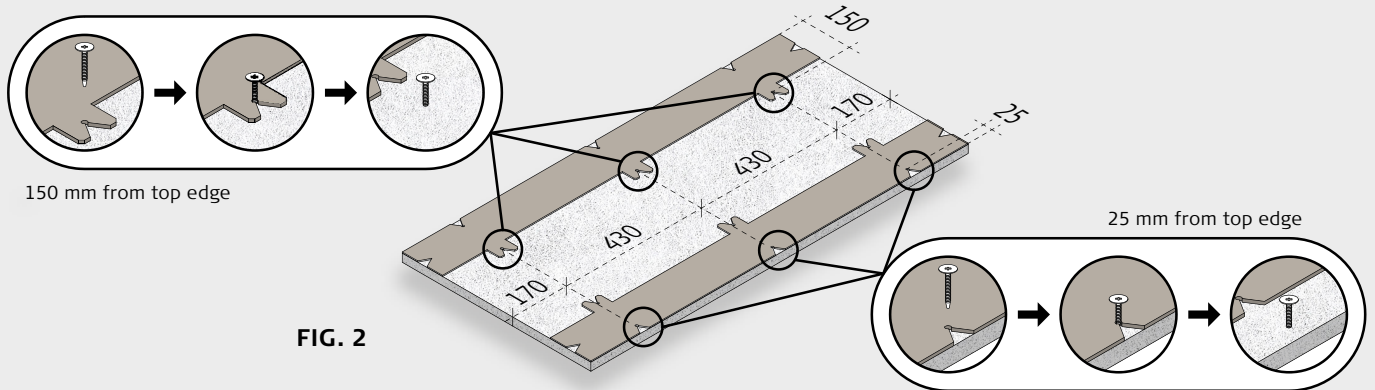


FIG. 1

SCREW POSITION

2: Insert 6 screws into the “grippers” of the screw template: On one side 3 screws 150 mm from the edge of the panel, on the other side 3 screws 25 mm from the edge of the panel (see Fig. 2). Screw the screws in about halfway without screwing through the panel.

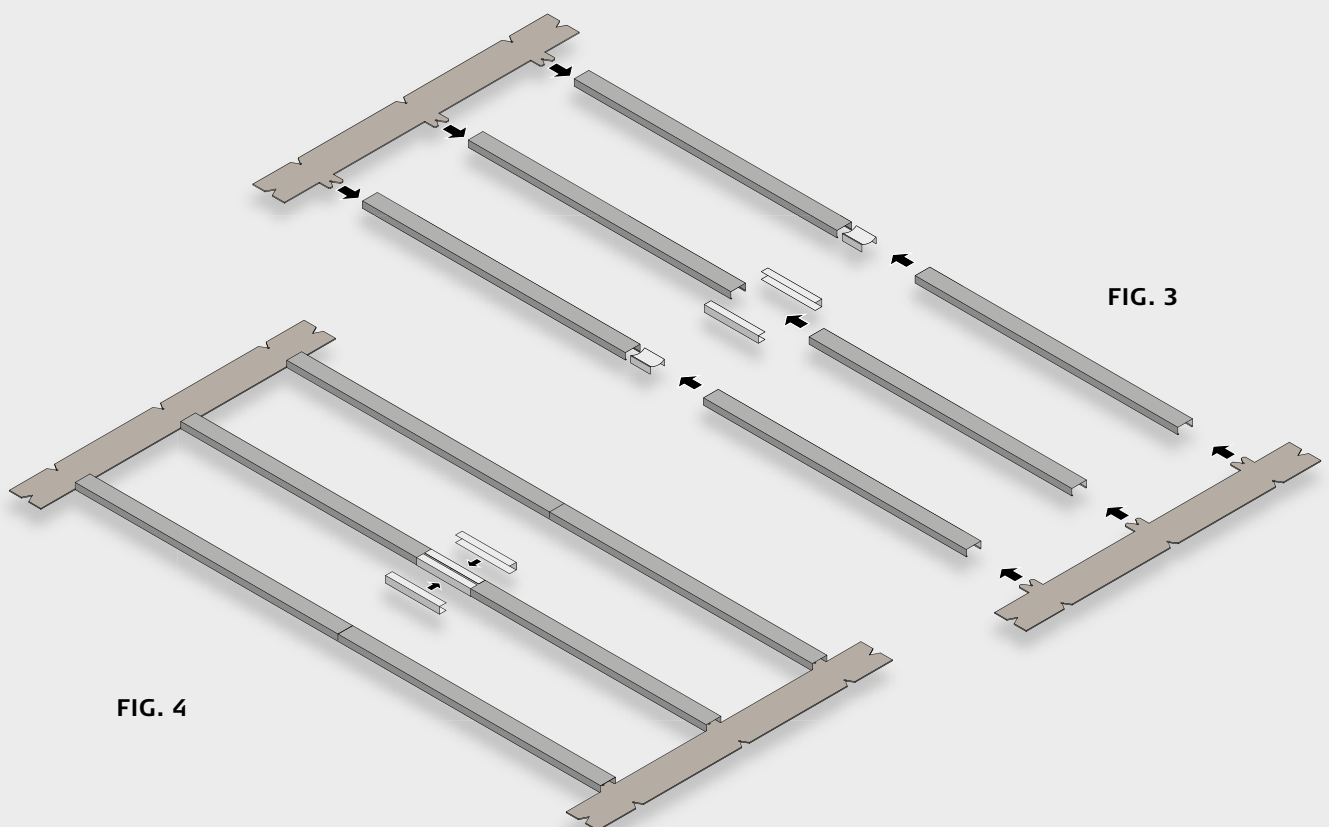
3: Once all 6 screws are inserted, you can remove the templates. Repeat the process for all 4 Troldtekt® panels.



INSTALLATION OF THE RAILS

4: Use the included C connectors to connect 4 rails to 2. The rails must lie on a firm surface with the closed side facing upwards. Use the templates to position the rails at the correct distance (Fig. 3). For the middle rail you

need 2 U profiles which are clamped from the side around the C-rails (Fig. 4).



INSTALLATION OF THE PANELS

5: Place the Troldtekt® panels on the rails so that they are exactly flush with the corners on the two templates (Fig. 5). Use a straight edge or similar to ensure that the panels are exactly flush. Before the screws are fully screwed in, make sure that the distance between the screws corresponds to the diagram at the bottom of the page (Fig. 6). The panels are then screwed to the rails. Do not overtighten the screws, as they may make a dent in the panel. The two templates are then removed.

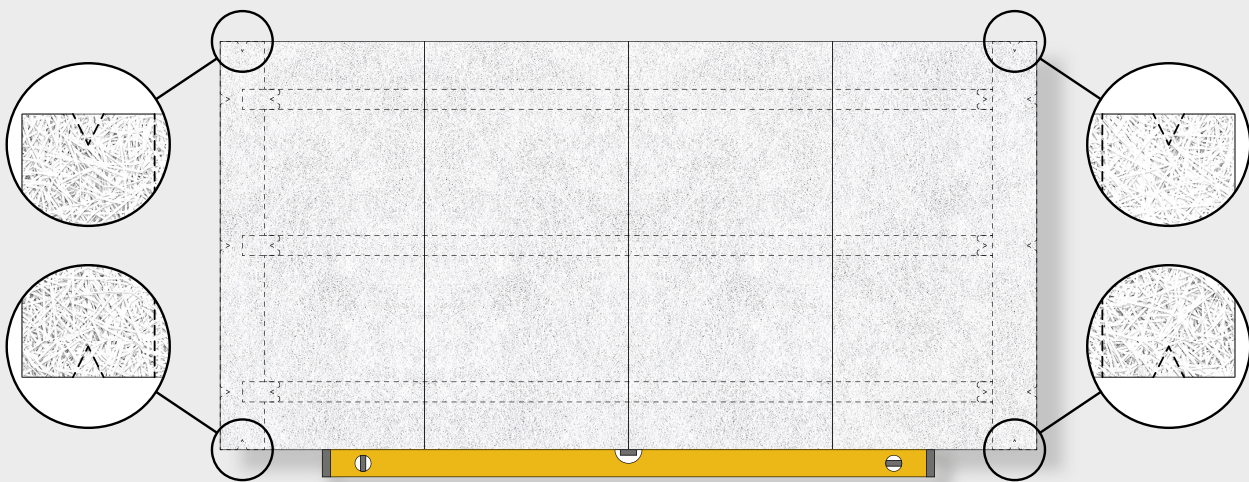


FIG. 5

SCREW DISTANCES

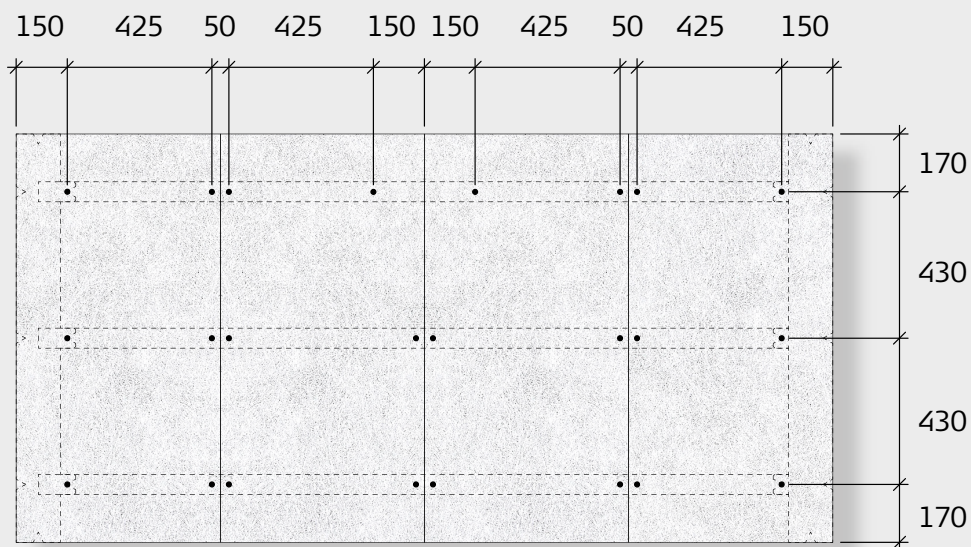


FIG. 6

PREPARING FOR THE SUSPENSION

6: When all Troldtekt® panels have been screwed to the C60 rails, the two halves of the floating acoustic cloud are pulled apart. The two U profiles on the middle C60 rails are removed. (Fig. 7).

Be careful not to damage the panel edges.

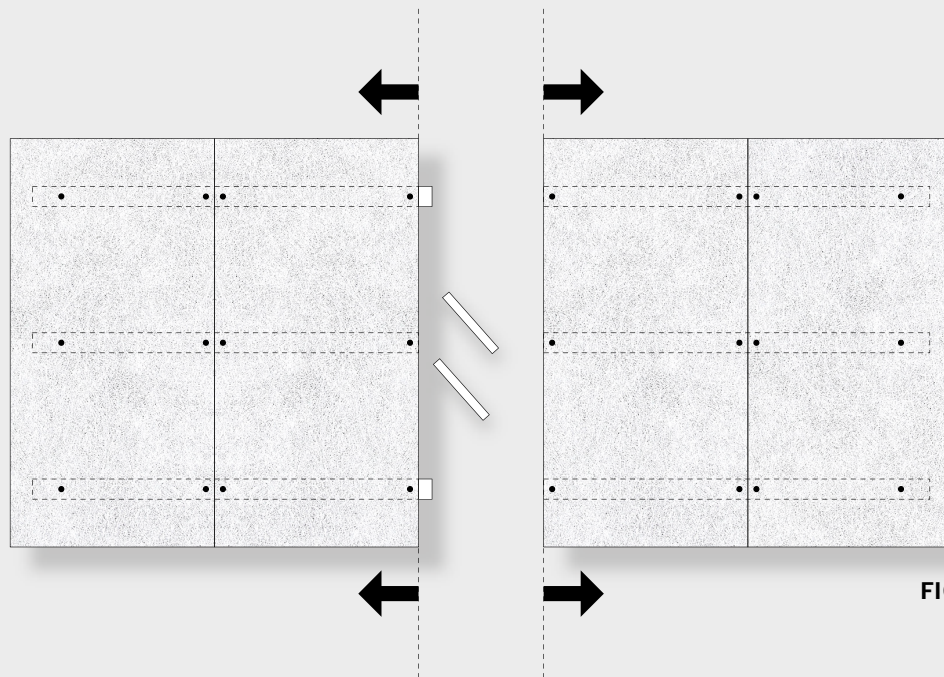


FIG. 7

PREPARING THE WIRE ROPE SUSPENSION

7: After separating the two halves, turn the floating acoustic cloud so that the rails face upwards

(Fig. 7). Be careful not to damage the panel edges.

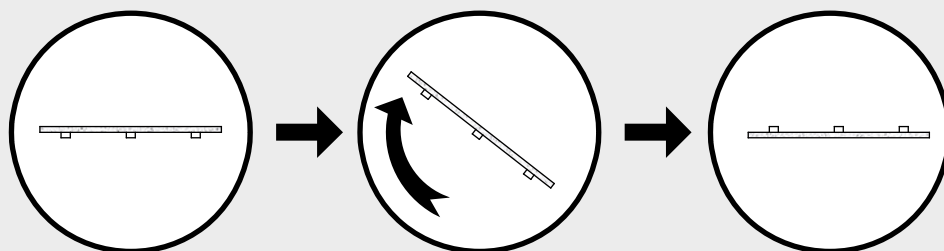


FIG. 8

WIRE ROPE SUSPENSION INSTALLATION

8: Click the wire rope suspension onto the rails (Fig. 9 and 10). Insert the wire rope into each suspension by feeding in the wire rope while pushing the upper part of the suspension to open. The wire rope is fixed after release (Fig. 11).

You can adjust the length of the wire rope later by pressing the top of the suspension (Fig. 11 and 20).

The suspensions are distributed as shown in the diagram below on the following page (Fig. 12).

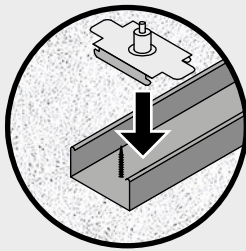


FIG. 9

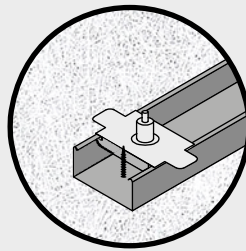


FIG. 10

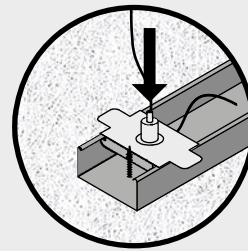


FIG. 11

POSITIONING THE WIRE ROPE SUSPENSION

9: Make sure that the wire rope suspensions are positioned correctly (Fig. 12).

The screws ensure that the suspensions cannot slide out of the C60 rails during the further installation process (Fig. 13).

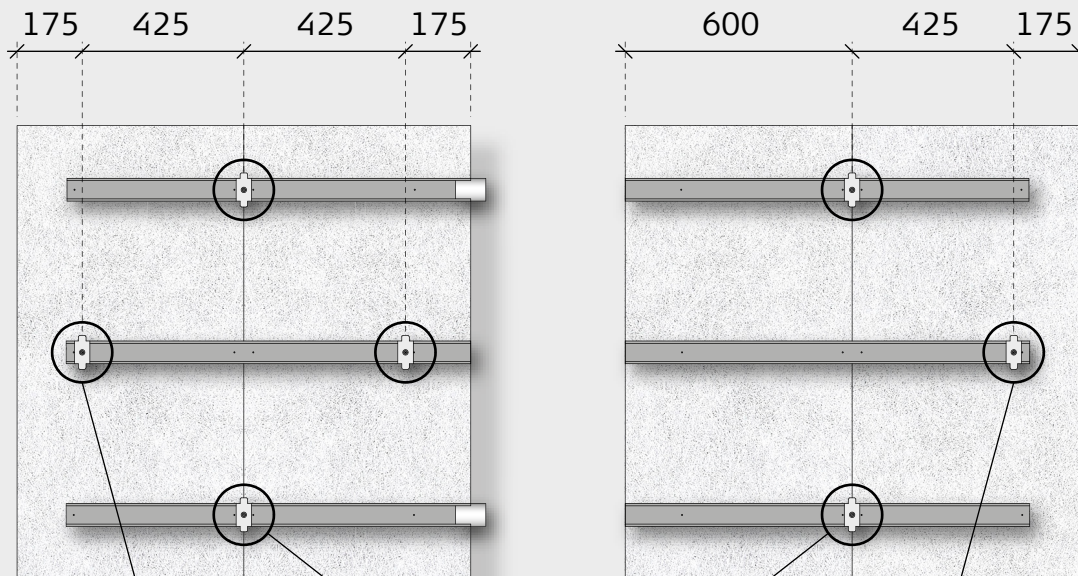


FIG. 12

A: FLOATING ACOUSTIC CLOUD SECTION WITH 4 SUSPENSIONS

B: FLOATING ACOUSTIC CLOUD SECTION WITH 3 SUSPENSIONS

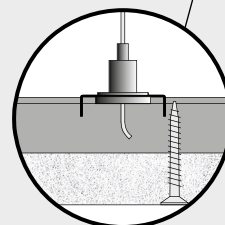
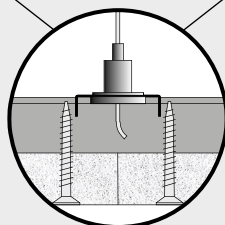
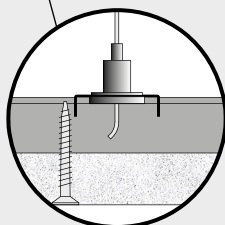


FIG. 13

PREPARATION OF THE TEMPLATE

10: The templates are then assembled with the clips provided as shown below (Fig. 14).

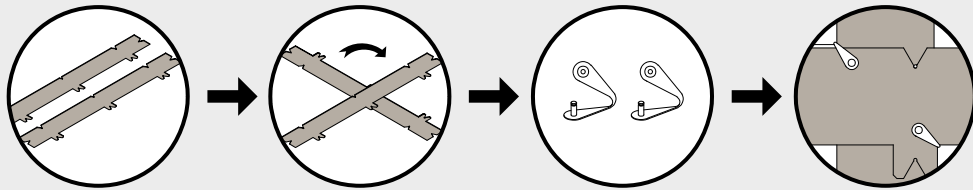


FIG. 14

MARKING

11: Use the template to mark the position of the hooks for the wire ropes on the base that is to hold the Troldekt® Elements floating acoustic cloud (Fig. 15 and 16).

Then carefully fix the hooks to the base (Fig. 17). Make sure to mark all four points before moving the template 1200 mm.

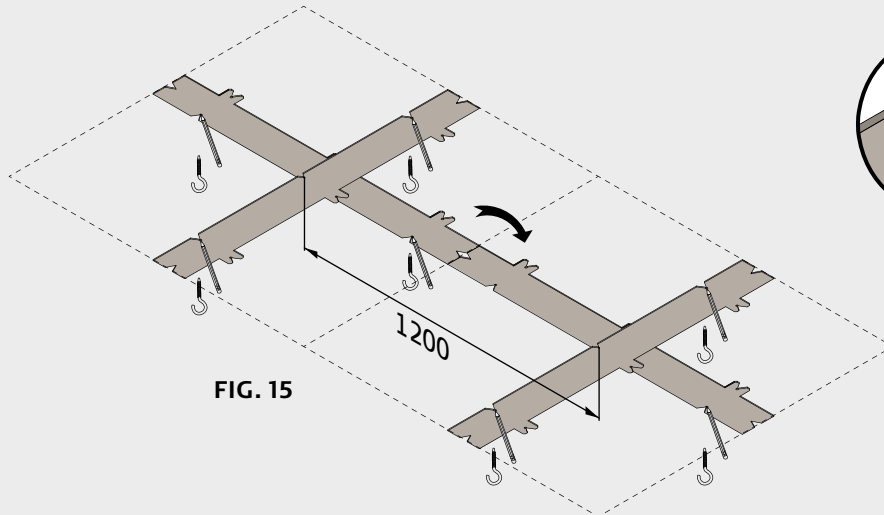


FIG. 15

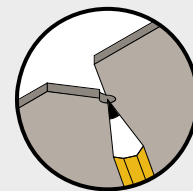


FIG. 16

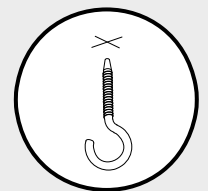


FIG. 17

SUSPENSION OF THE FLOATING ACOUSTIC CLOUD (1)

12: Lift half of the floating acoustic cloud with 4 mounted suspensions (Part **A** in Fig. 12) and attach the wire ropes to the hooks on the base (Fig. 18 and 19).

As already mentioned, you can adjust the length of each wire rope (marked **x** on the drawings) by pressing on the top of the suspension (Fig. 20 and 21).

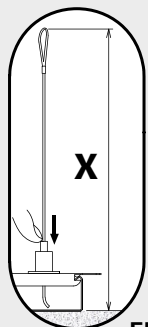


FIG. 20

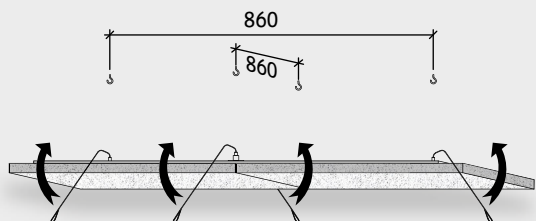


FIG. 18

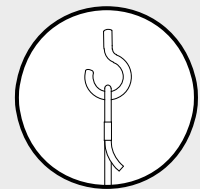


FIG. 19

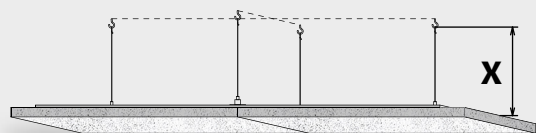


FIG. 21

SUSPENSION OF THE FLOATING ACOUSTIC CLOUD (2)

13: Now repeat step **12** with half of the floating acoustic cloud (Part **B** in Fig. 12), which has three suspensions (Fig. 22). Take care not to damage the panel edges. You can adjust the length of the wire rope later if necessary by pressing the top of the suspension (Fig. 10 and 20).

Then press the floating acoustic clouds together so that the C connectors engage in the rails on both halves of the floating acoustic cloud (Fig. 23 and 24).

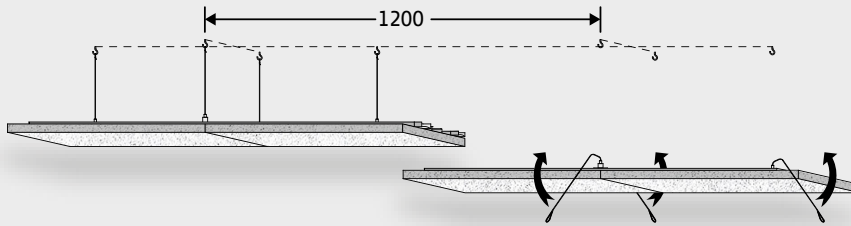


FIG. 22

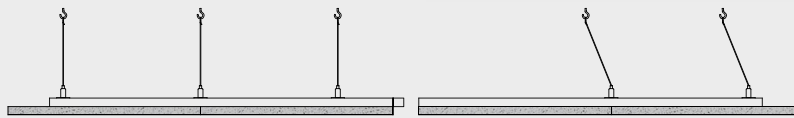


FIG. 23

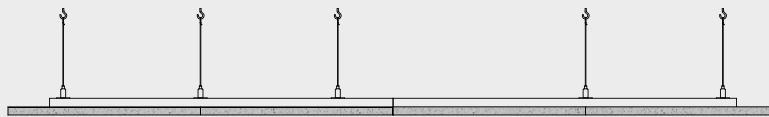


FIG. 24

INSTALLATION, U PROFILES

14: Check that the position of the wire rope suspensions is correct (Fig. 25) and that the floating acoustic cloud is hanging stable. Now press the 4 U-profiles together around the connections on the C60 rails: 1 on each of the outer C60 rails and 2 on the middle C60 rail.

On the two outer U-profiles, **both** lugs must be bent around the C60 rails (Fig. 26). Use work gloves as the edges on the rails can be sharp.

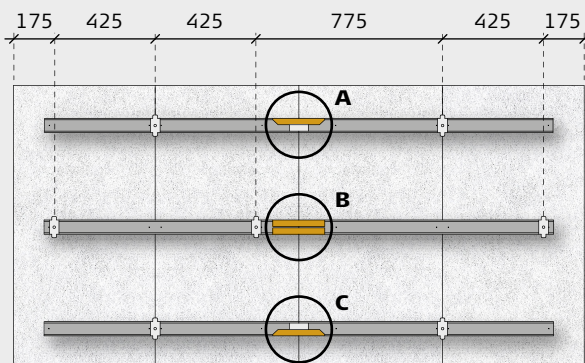


FIG. 25

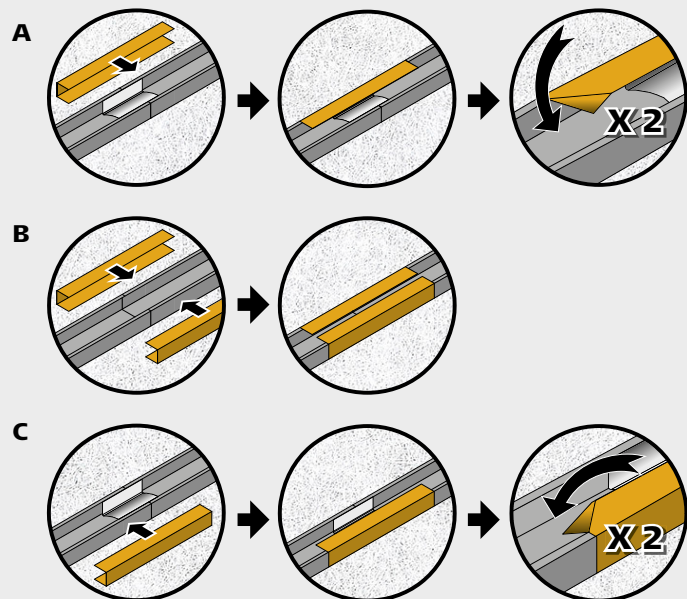


FIG. 26



Scan the QR code to view the data sheet for Acoustic Pads for Troldtekt Elements

Troldtekt A/S
Sletvej 2A
DK-8310 Tranbjerg J
Tel +45 8747 8100
info@troldtekt.com
www.troldtekt.com