

INSTALLATION INSTRUCTIONS

for Troldekt® rhomb mini/rhomb hatch mini, installed with screws

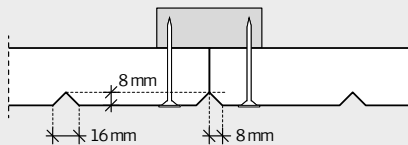
These instructions apply to the installation of Troldekt® rhomb mini/rhomb hatch mini with screws on wood battens or steel profile system. If you install Troldekt® on wood battens, the battens should be min. 22 x 95 mm. You can download installation instructions for wood battens from www.troldekt.com.

INSTALLATION

Fix the panels using Troldekt screws spaced 25/20 mm from the edges – as shown in the figures below.

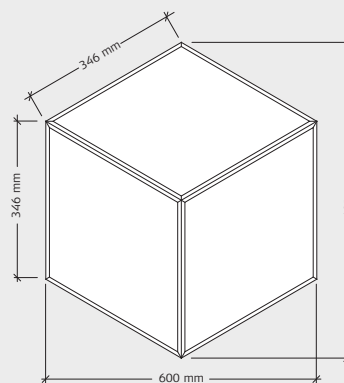
Be careful not to overdrive the screw and so cause an indentation in the panel.

PROFILE DRAWING (INDEPENDENT OF SUSPENSION)

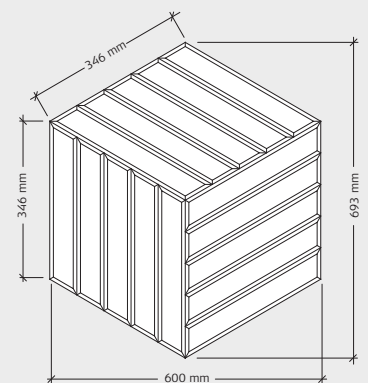


With 8 mm bevel and rebate

PANEL DIMENSIONS

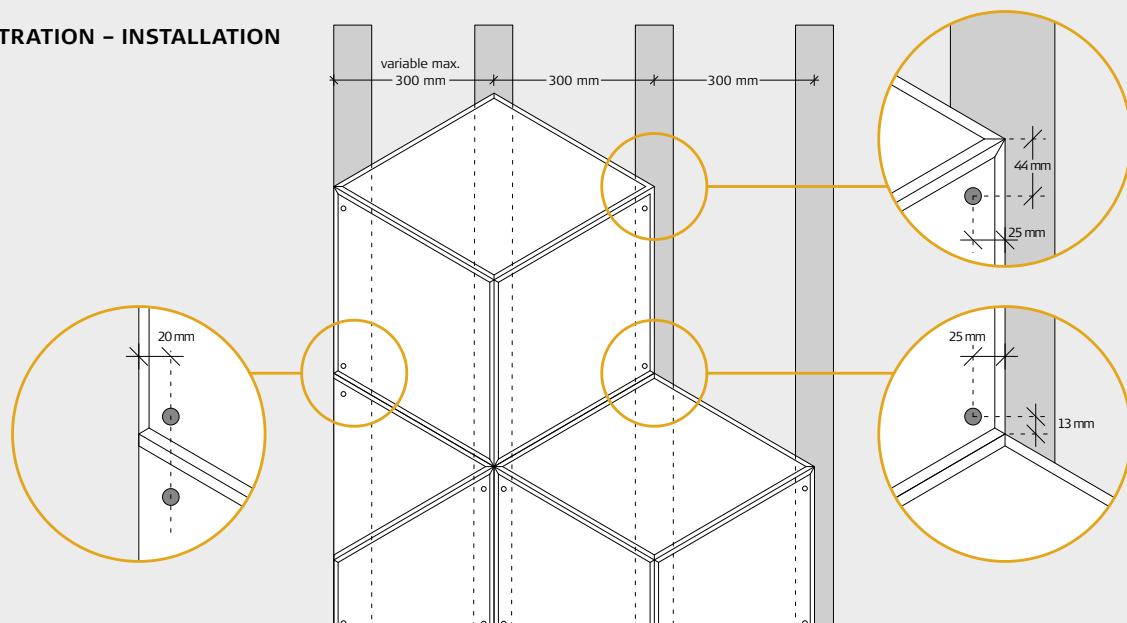


Troldekt® rhomb mini



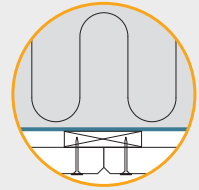
Troldekt® rhomb hatch mini

ILLUSTRATION - INSTALLATION



VAPOUR BARRIER

If you need to install a vapour barrier, we recommend using polyethylene plastic sheeting. The vapour barrier must be placed behind the wood battens. Install the vapour barrier so it is well-stretched and sits tightly against the insulation.



TROLDTEKT® SCREWS

Panel thickness (mm)	Panel length (mm)	Area (m ²)	Screw dimension (mm)	No. of screws (per panel)	Max. span (mm)
35	600	0.31	4.2 x 45 / 4.2 x 55 / 4.2 x 50	4	600

Troldekt structure screw
for wood and steel, PH2

4.2x45 mm / 4.2x55 mm



Troldekt structure screw
for steel, PH2

4.2x50 mm

