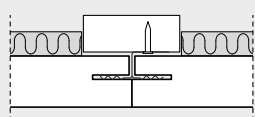


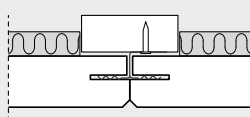
## Troldtekt® Plus, installed with concealed KN brackets

These instructions apply to installation of Troldtekt® Plus with concealed KN brackets on wooden battens or steel profile system. If you install Troldtekt® on wooden battens, the battens should be minimum 22x95 mm. You can download installation instructions for the Troldtekt® C60 profile system or wooden battens from [www.troldtekt.com](http://www.troldtekt.com).

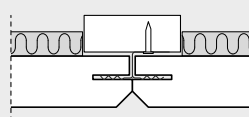
### PROFILE DRAWINGS (INDEPENDENT OF SUSPENSION)



K0-N Troldtekt Plus  
Square edges



K5-N Troldtekt Plus  
With 5 mm bevel



K11-N Troldtekt Plus  
With 11 mm bevel

K0-N, K5-N and K11-N are available as Troldtekt Plus in the following panel thicknesses:

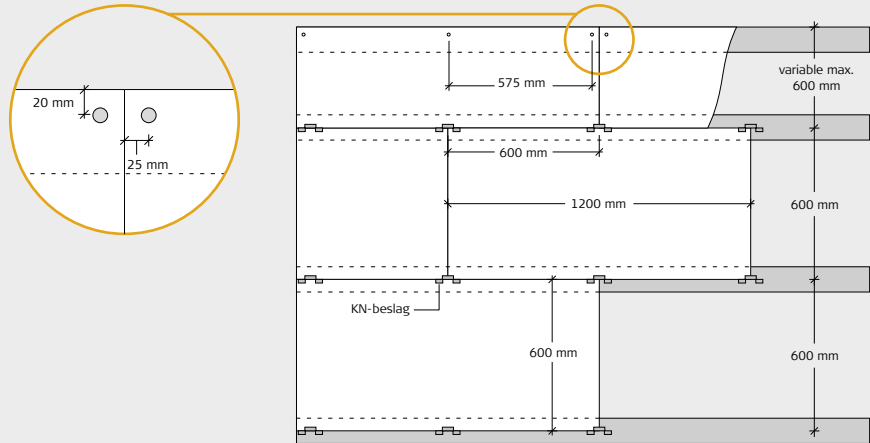
**35+18 / 35+40 mm**

(Note: 35+40 mm cannot be combined with a C60 profile system)

### INSTALLATION (PLEASE READ FULL INSTRUCTIONS BEFORE STARTING WORK)

- 1:** Start by installing a complete row of Troldtekt panels along the centre line of the room. Then continue on both sides. It is important that the panels are installed closely together, and the optimum aesthetic result is obtained by installing the panels in broken bond. Screw the first line of KN brackets into the wooden battens/C60 profile in the centre line of the room using two screws per bracket. For wooden battens, use two screws (3.5x25 mm) per bracket. For C60 brackets, use two self-tapping screws (4x13 mm) per bracket (not included).
- 2:** Install the first bracket against the wall and the next bracket in the panel joint. See the figure below. Then lead the groove of the panel over the bracket and install the next line of brackets continuously as you install the panels.
- 3:** Fix the Troldtekt panels along the wall, lengthwise, using Troldtekt screws (3.9x55 mm) spaced 20 mm from the edges. The maximum distance between the screws should be 600 mm. See the figure below. Be careful not to overdrive the washed screws and so cause an indentation in the panel.

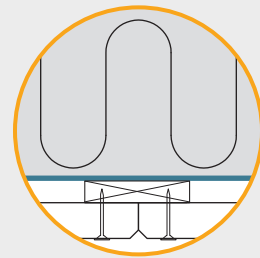
**ILLUSTRATION - INSTALLATION**



**VAPOUR CHECK**

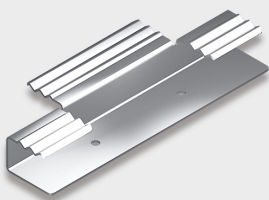
If you need to install a vapour check, we recommend using polyethylene. The vapour check must be placed over the wooden battens, i.e. between the battens and the main beam. Install the vapour check tightly against the insulation.

Please refer to the manufacturer's instructions.



**TROLDTEKT® KN BRACKETS AND SCREWS**

Panel thickness (mm)	Panel length (mm)	No. of KN brackets per panel	No. of screws along walls
35 / 35+18 / 35+40	600	1	2
	1200	2	3
	2400	3	5



Troldtekt KN bracket



Troldtekt structure screw for wood and steel, PH2



Troldtekt structure screw for steel, PH2