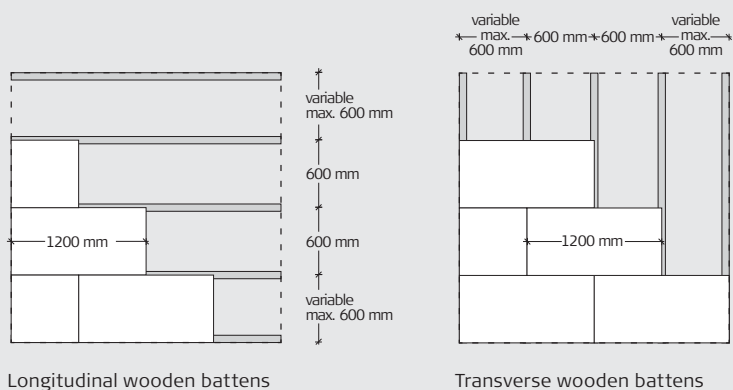


INSTALLATION INSTRUCTIONS

Wooden battens, walls. Installed with concealed KN brackets.

These instructions apply to installation of wooden battens for wall cladding, minimum 22x95 mm or 45x95 mm. Download installation instructions for all Troldtekt® panel types from www.troldtekt.com.

INSTALLATION OF WOODEN BATTENS



VAPOUR CHECK

If you need to install a vapour check, we recommend using polyethylene. The vapour check must be placed behind the wooden battens. Install the vapour check tightly against the insulation.

Please refer to the manufacturer's instructions.

BALL IMPACT CERTIFICATION

Troldtekt panels have been tested for the certification to withstand ball impacts in accordance with the German 'Prüfung der Ballwurfsicherheit, DIN 18032 Teil 3, Sportshallen für Turnen und Spiele' (requirements and testing of ball impact safety, DIN 18032, Part 3, sports facilities).

A large number of structures using Troldtekt have been tested at the Stuttgart institute and are certified for use as ceiling and wall cladding in sports halls, where they will be exposed to high impact, e.g. when a handball is thrown at full speed.

Download the ball impact tests from www.troldtekt.com

STRUCTURAL SOFFIT

Concrete

Minimum: 22x95 mm or 45x95 mm wooden battens

Troldtekt panels

Insulation

Post/structure

Vapour check

Minimum: 22x95 mm or 45x95 mm wooden battens

Troldtekt panels

