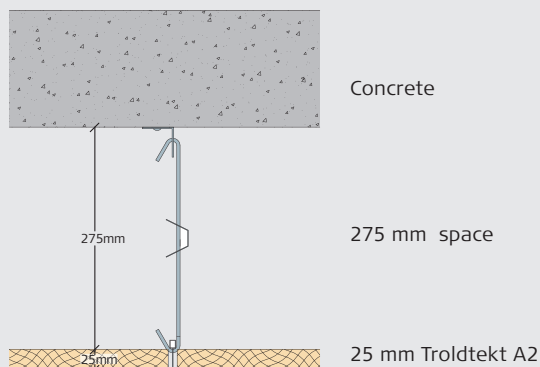


# Troldtekt® A2

Sound absorption measurements for  
25 mm Troldtekt A2, suspended 275 mm

## VERTICAL SCHEMATIC DIAGRAM



## SOUND ABSORPTION MEASUREMENTS

Measurement of the sound absorption coefficients were carried out using the reverberation room method - in accordance with DS/ISO 354.

The measurements are carried out by Peutz.

Hz	100	125	160	200	250	315	400	500	630	800	1000	1250	1600	2000	2500	3150	4000	5000
$\alpha$	0,26	0,23	0,33	0,44	0,46	0,47	0,46	0,37	0,33	0,42	0,52	0,50	0,57	0,61	0,66	0,71	0,79	0,82

$\alpha_w = 0,50$  - NRC = 0,50 - Absorptionsklasse D.

Absorption coefficient  $\alpha$

