

INSTALLATION INSTRUCTIONS

for Troldekt® Elements 1200 × 1200 mm
mounted on C60 profiles

These instructions apply to the installation of Troldekt® Elements floating acoustic clouds 1200 × 1200 mm on C60 profiles.

INSPECTION UPON RECEIPT

On receipt, check that the components included (see overview at the top of page 2) are undamaged. In the event of visible faults or defects, please make a complaint immediately, as we cannot accept complaints regarding visible faults or defects after installation of Elements floating acoustic clouds.

Please also read the instructions for storage and acclimatisation, as well as maintenance and care of Troldekt acoustic panels. These can be downloaded from www.troldekt.com.

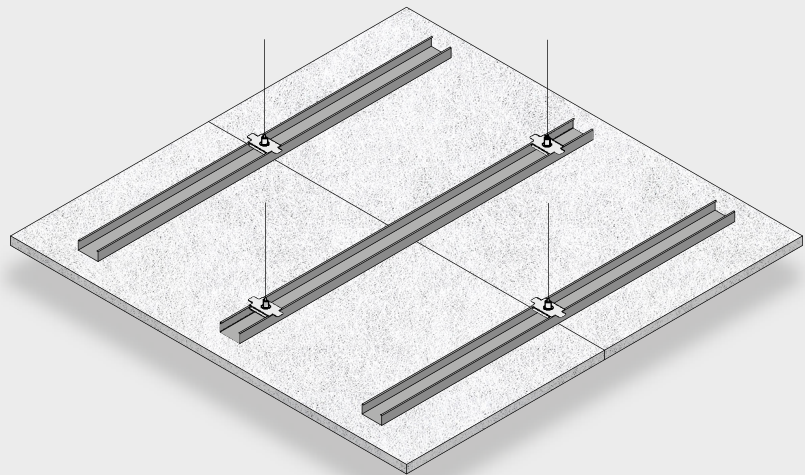
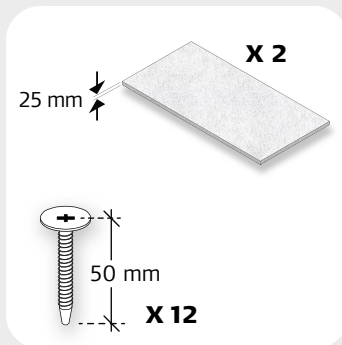
ATTENTION! Use work gloves during installation of rails and fittings as the edges can be sharp.

TROLDTEKT® ELEMENTS 1200 × 1200 MM

For a Troldekt® Elements floating acoustic cloud 1200 × 1200 mm, you need:

2 x Troldekt® panels
(25 × 600 × 1200 mm)
Edge K0, K5, v-line 1way and v-line 2way
Max. weight 12 kg

12 Troldekt® structure screws for steel
(4,2 × 50 mm, Ø13)



COMPONENTS, SUSPENSION

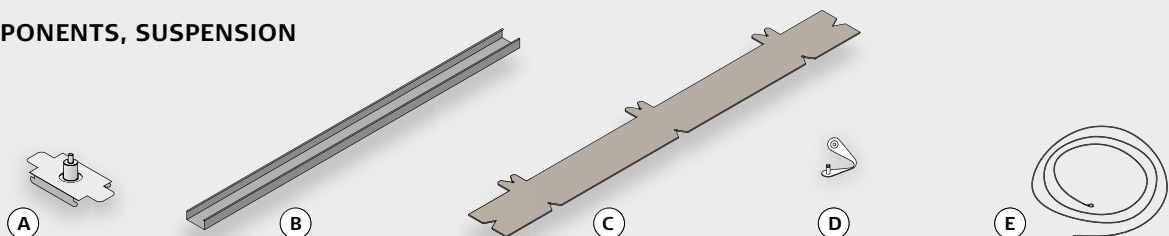


Figure	A	B	C	D	E
Description of item	Wire rope suspension	C60 rails	Templates	Connecting clips	Steel wire rope
Length (mm/in)	-	1070	1200	-	1500
Consumption per Elements floating acoustic cloud (1200 × 2400 mm)	4 units	3 units	2 units	2 units	4 units

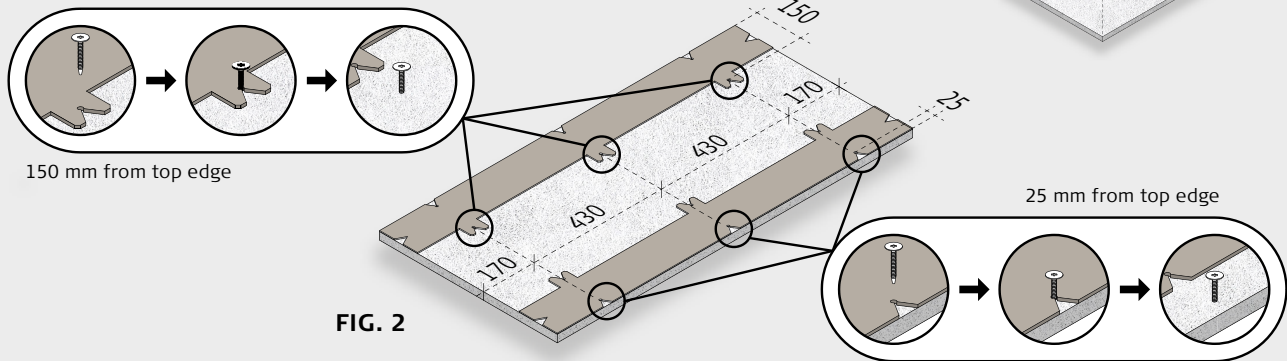
USING THE SCREW TEMPLATE

1: Place the Troldtekt® panel with the visible side facing upwards. Then place the two included templates so that they are flush with the longitudinal edges of the Troldtekt® panels (Fig. 1).

2: Insert 6 screws into the “grippers” of the screw template: On one side 3 screws 150 mm from the edge of the panel, on the

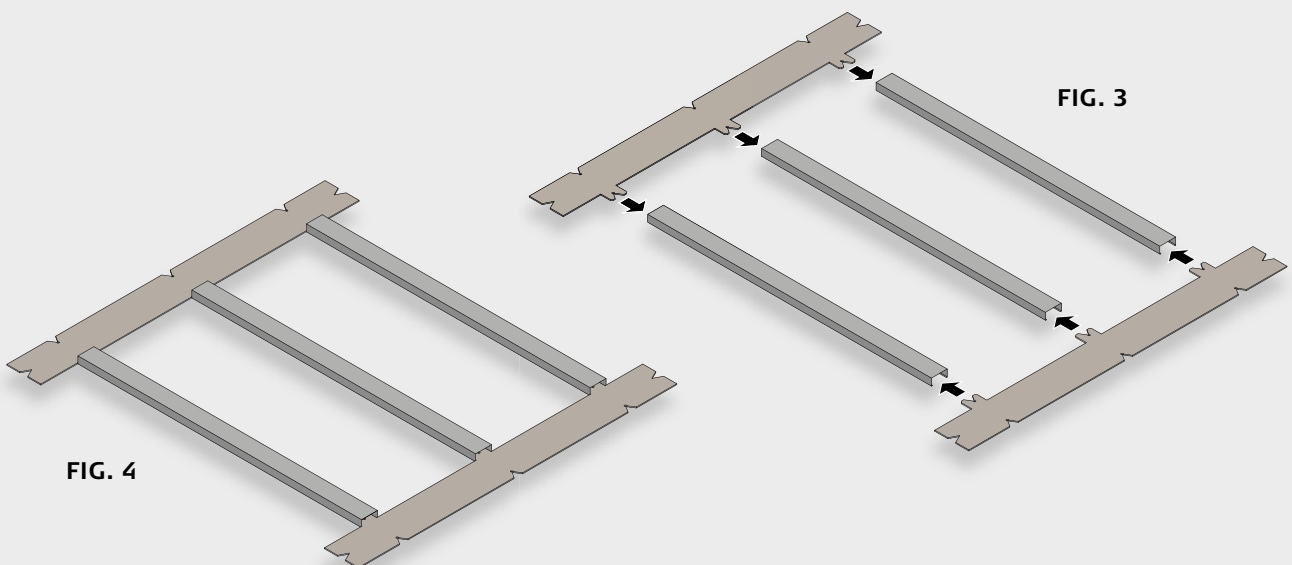
other side 3 screws 25 mm from the edge of the panel (see Fig. 2). Screw the screws in about halfway without screwing through the panel.

3: Once all 6 screws are inserted, you can remove the templates. Repeat the process for the next Troldtekt® panel.



POSITIONING THE RAILS

4: Place the rails on a firm surface with the closed side facing up. Use the templates to position the rails at the correct distance (Fig. 3 and 4).



INSTALLATION OF THE PANELS

5: Place the Troldtekt® panels on the rails so that they are exactly flush with the notch on each of the two templates (Fig. 5). Before the screws are fully screwed in, ensure that the distance between the screws corresponds to the following diagram (Fig.

6). The panels are then screwed to the rails. Do not overtighten the screws, as they may make a dent in the panel. The two templates are then removed.

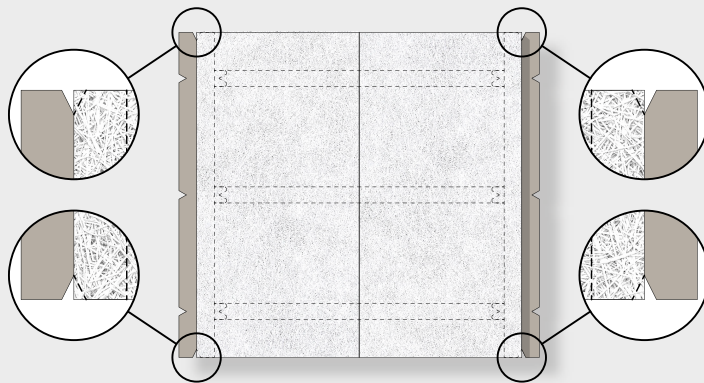


FIG. 5

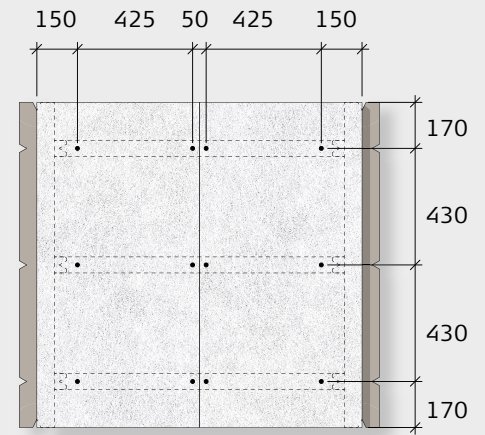


FIG. 6

PREPARING THE WIRE ROPE SUSPENSION

7: After separating the two halves, turn the floating acoustic cloud so that the rails face upwards (Fig. 7).

Be careful not to damage the panel edges.

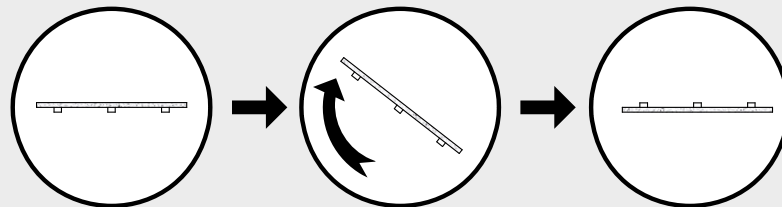


FIG. 7

WIRE ROPE SUSPENSION INSTALLATION

8: Click the wire rope suspension onto the rails (Fig. 9 and 10). Insert the wire rope into each suspension by feeding in the wire rope while pushing the upper part of the suspension to open. The wire rope is fixed after release (Fig. 11).

You can adjust the length of the wire rope later by pressing the top of the suspension (Fig. 11 and 20).

The suspensions are distributed as shown in the diagram below on the following page (Fig. 13).

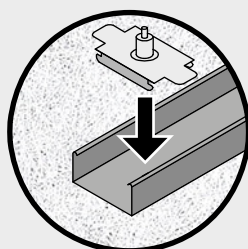


FIG. 9

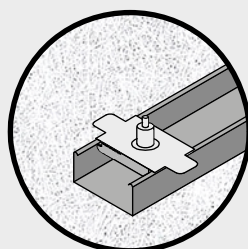


FIG. 10

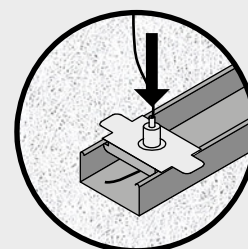


FIG. 11

**POSITIONING
THE WIRE ROPE SUSPENSION**

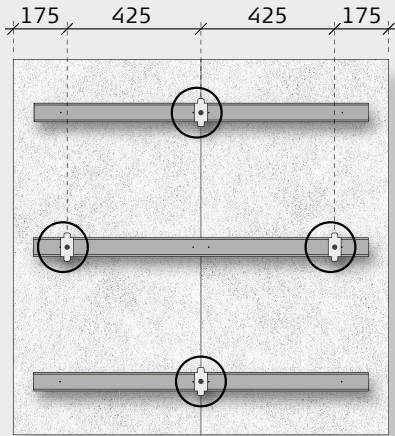


FIG. 12

9: Make sure that the wire rope suspensions are positioned correctly (Fig. 12).

The screws ensure that the suspensions cannot slide out of the C60 rails during the further installation process (Fig. 13).

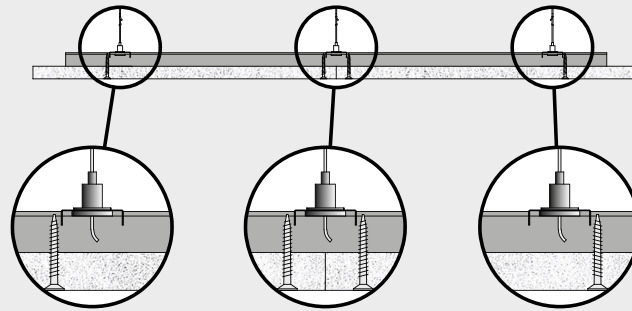


FIG. 13

**PREPARATION OF
THE TEMPLATE**

10: The templates are then assembled with the clips provided as shown below (Fig. 14).

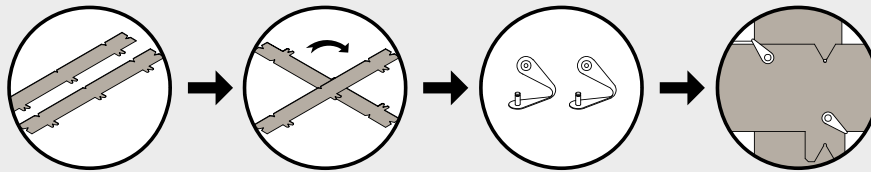


FIG. 14

**MARKING AND
SUSPENSION**

11: Use the template to mark the position of the hooks for the wire ropes on the base that is to hold the Troldtekt® Elements floating acoustic cloud (Fig. 15 and 16). Then carefully fix the hooks to the base (Fig. 17). Now lift the floating acoustic cloud and attach the wire ropes to the hooks on the base (Fig. 18 and 19). As already mentioned, you can adjust the length of each wire rope (marked **x** on

the drawings) by pressing on the top of the suspension (Fig. 20 and 21).

As already mentioned, you can adjust the length of each wire rope (marked **x** on the drawings) by pressing on the top of the suspension (Fig. 20 and 21).

FIG. 15

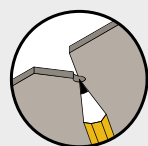
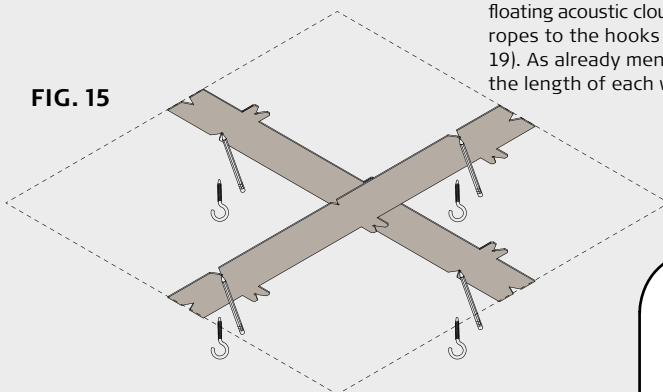


FIG. 16

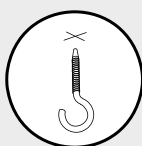


FIG. 17

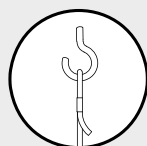


FIG. 18

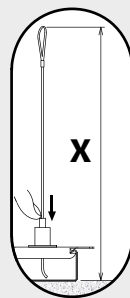


FIG. 20

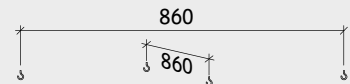


FIG. 19

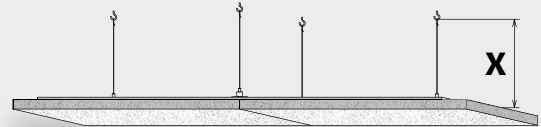
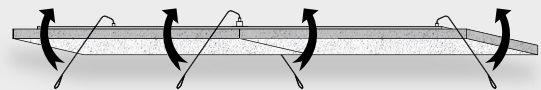


FIG. 21



Scan the QR code to view the data sheet for Acoustic Pads for Troldtekt Elements

Troldtekt A/S
Sletvej 2A
DK-8310 Tranbjerg J
Tel +45 8747 8100
info@troldtekt.com
www.troldtekt.com